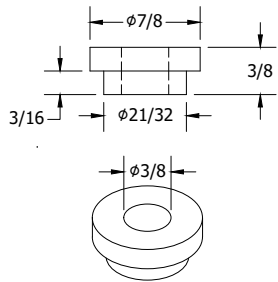
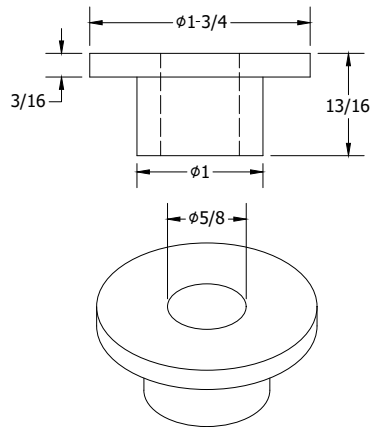


REV.	DESCRIPTION	DATE	BY

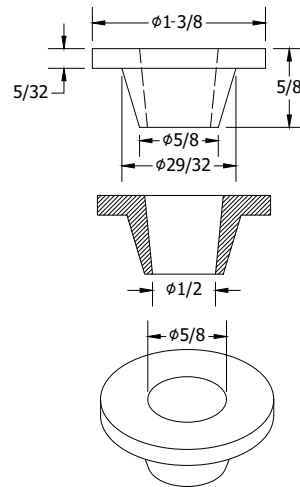
NO.256



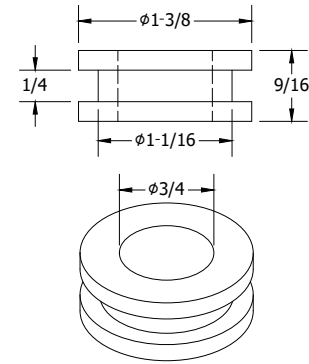
NO.300



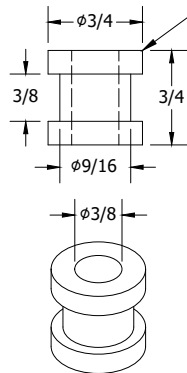
NO.1172



NO.2567

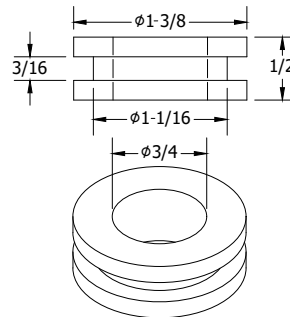


NO.2596



EDGE RADIUS
MAY VARY

NO.2767



OTHER MATERIALS, COMPOUNDS, OR FINISHES WITH EQUAL OR SUPERIOR PROPERTIES MAY BE SUBSTITUTED AS THEY BECOME AVAILABLE.



CERTIFIED FOR:

JOB NAME: _____
 CUSTOMER: _____
 CUSTOMER P.O.: _____
 SALES ORDER: _____

**ELASTOMERIC GROMMETS
 VIBRATION ISOLATORS**



THE POWER OF TOGETHER

Bloomington, NJ 07403
 Houston, TX 77041

SCALE:

NONE

SHEET:

1 OF 1

DRAWING NO.:

REVISION

